

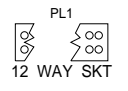
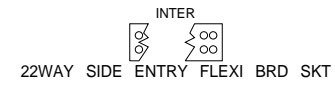
PROCESSOR
252 SHEET 4
DSP AUDIO

RECEIVER
246 GND RX-ANT SHEET 3

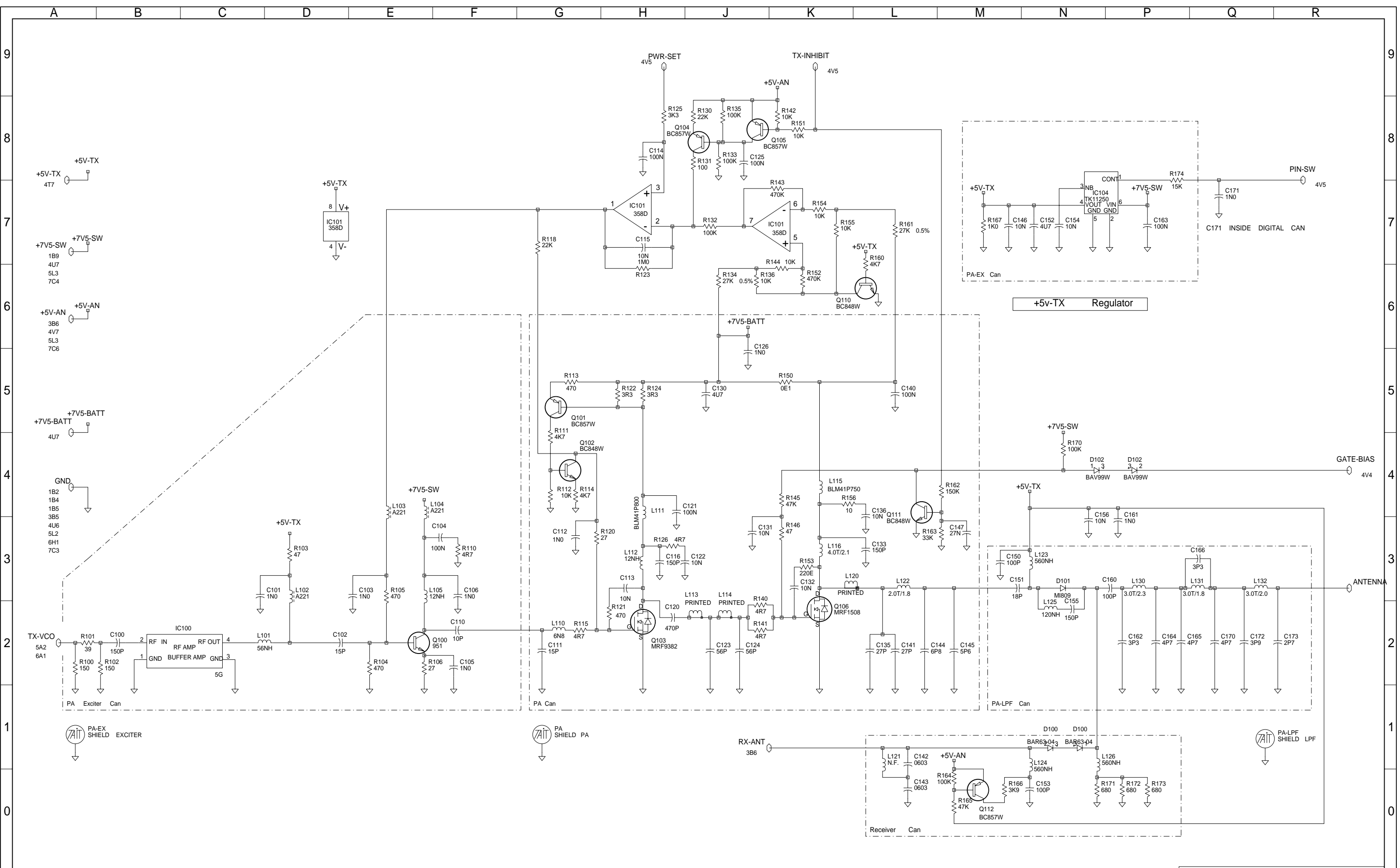
SYNTH-VCO
2922 GND SHEET 5

POWER-AMP
93 GND RX-ANT SHEET 2

03A	CCO 1603/003	CJK	SP		6/10/99
02A	CCO 1603/001 & 002	CJK			24/09/99
01A	NEW PA FOR 400-470 MHz	CJK	JJ		10/06/99
REV/ISS	AMENDMENTS	DRAWN	CHKD	D.O.	APVD DATE



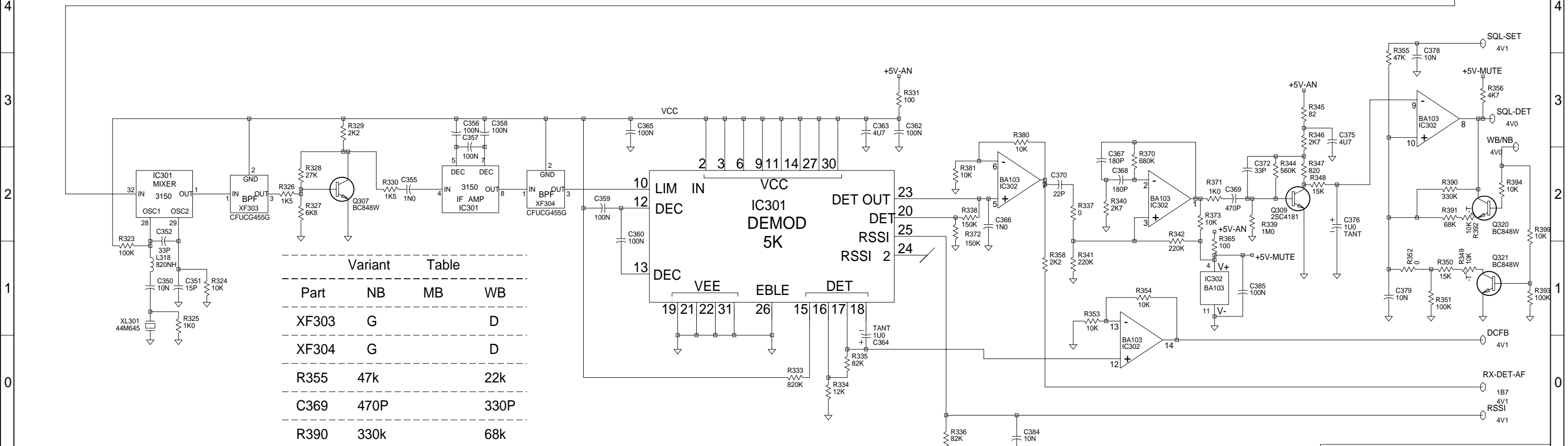
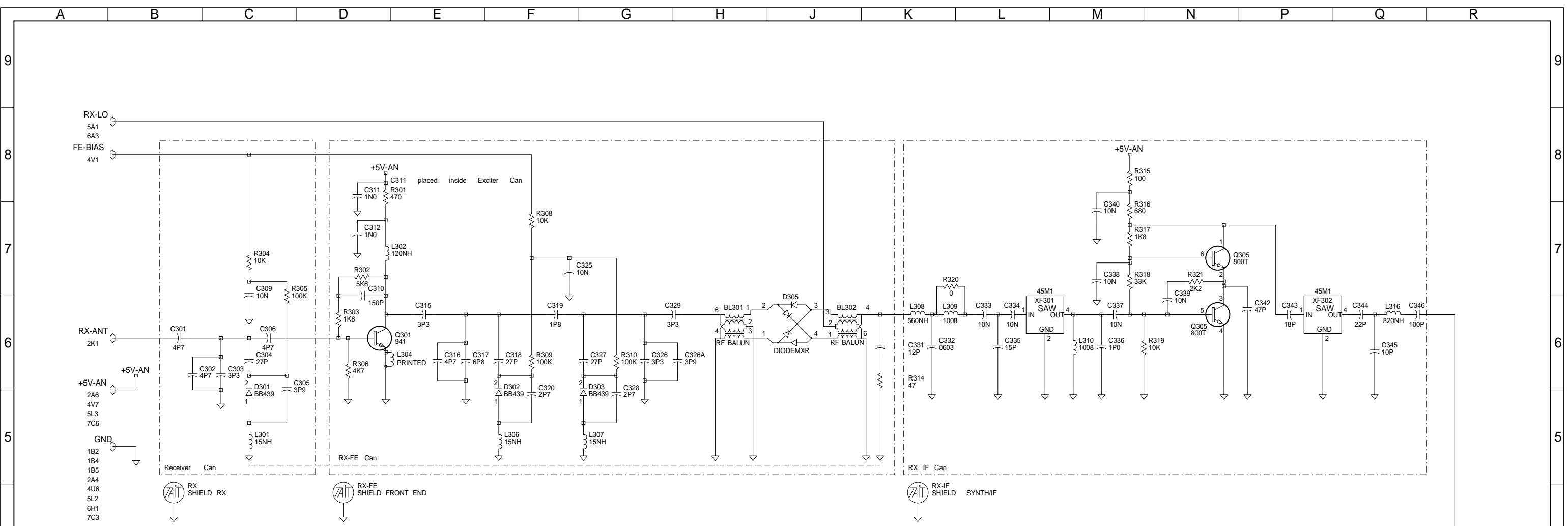
© **TAIT ELECTRONICS**
ORCA : 400-470MHZ SYSTEM DIAGRAM
 IPN: 220-01603-03 ISSUE: A ID: 2.S.C. 1
 PROJECT: ORCA DESIGNER: CJK FILE NAME: 160303a FILE DATE: 6-Oct-99 NO.SHEETS: 7



© TAIT ELECTRONICS
 ORCA : 400-470MHZ
 POWER AMPLIFIER

IPN: 220-01603-03	ISSUE: A	ID: 2.S.C. 2
PROJECT: ORCA	DESIGNER: CJK	FILE NAME: 160303a
	FILE DATE: 6-Oct-99	NO.SHEETS: 7

REV/ISS	AMENDMENTS	DRAWN	CHKD	D.O.	APVD	DATE
A						

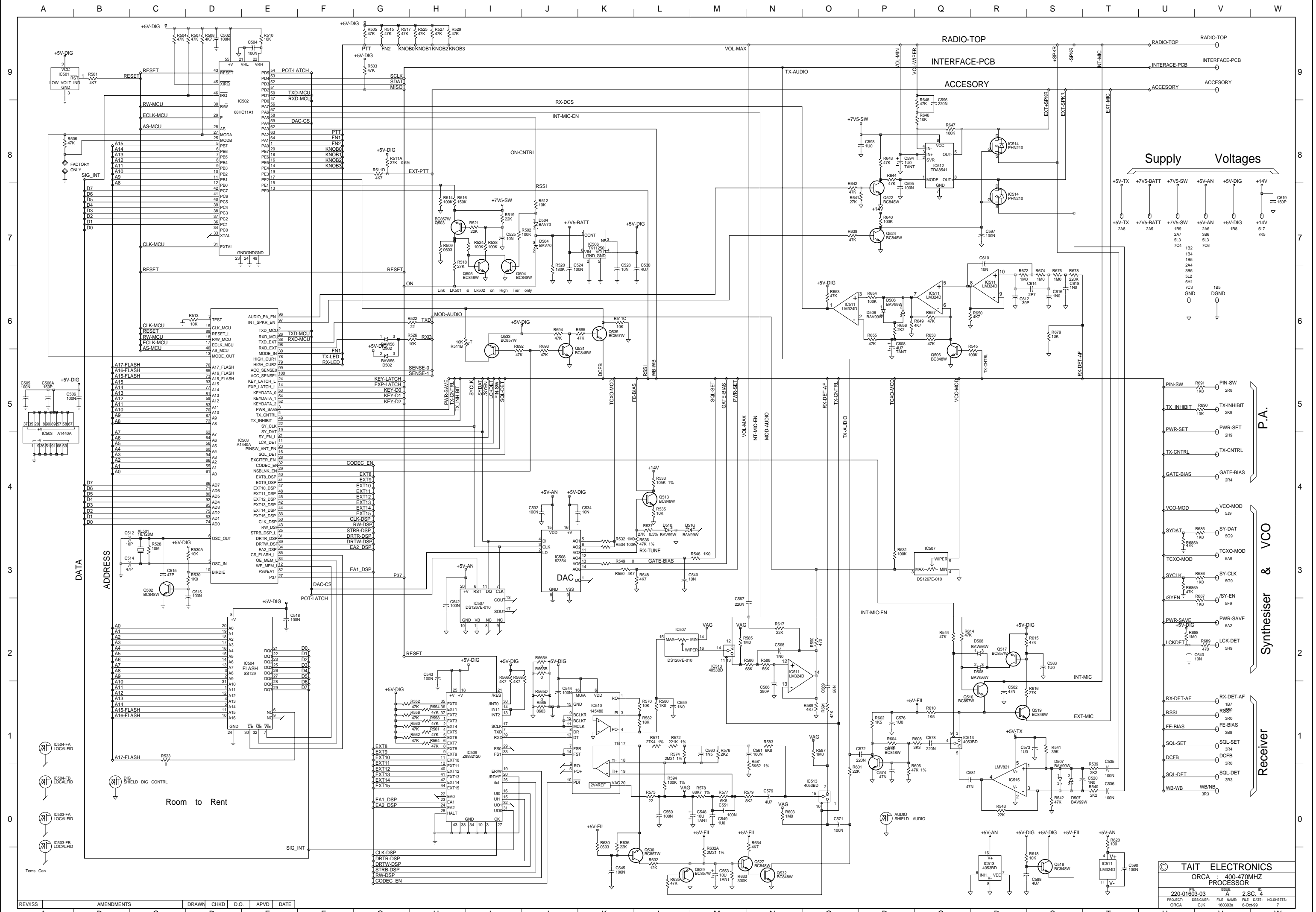


Variant Table

Part	NB	MB	WB
XF303	G		D
XF304	G		D
R355	47k		22k
C369	470P		330P
R390	330k		68k

© TAIT ELECTRONICS
 ORCA : 400-470MHZ RECEIVER
 IPN: 220-01603-03 ISSUE: A ID: 2.S.C. 3
 PROJECT: ORCA DESIGNER: CJK FILE NAME: 160303a FILE DATE: 6-Oct-99 NO.SHEETS: 7

REV/ISS	AMENDMENTS	DRAWN	CHKD	D.O.	APVD	DATE

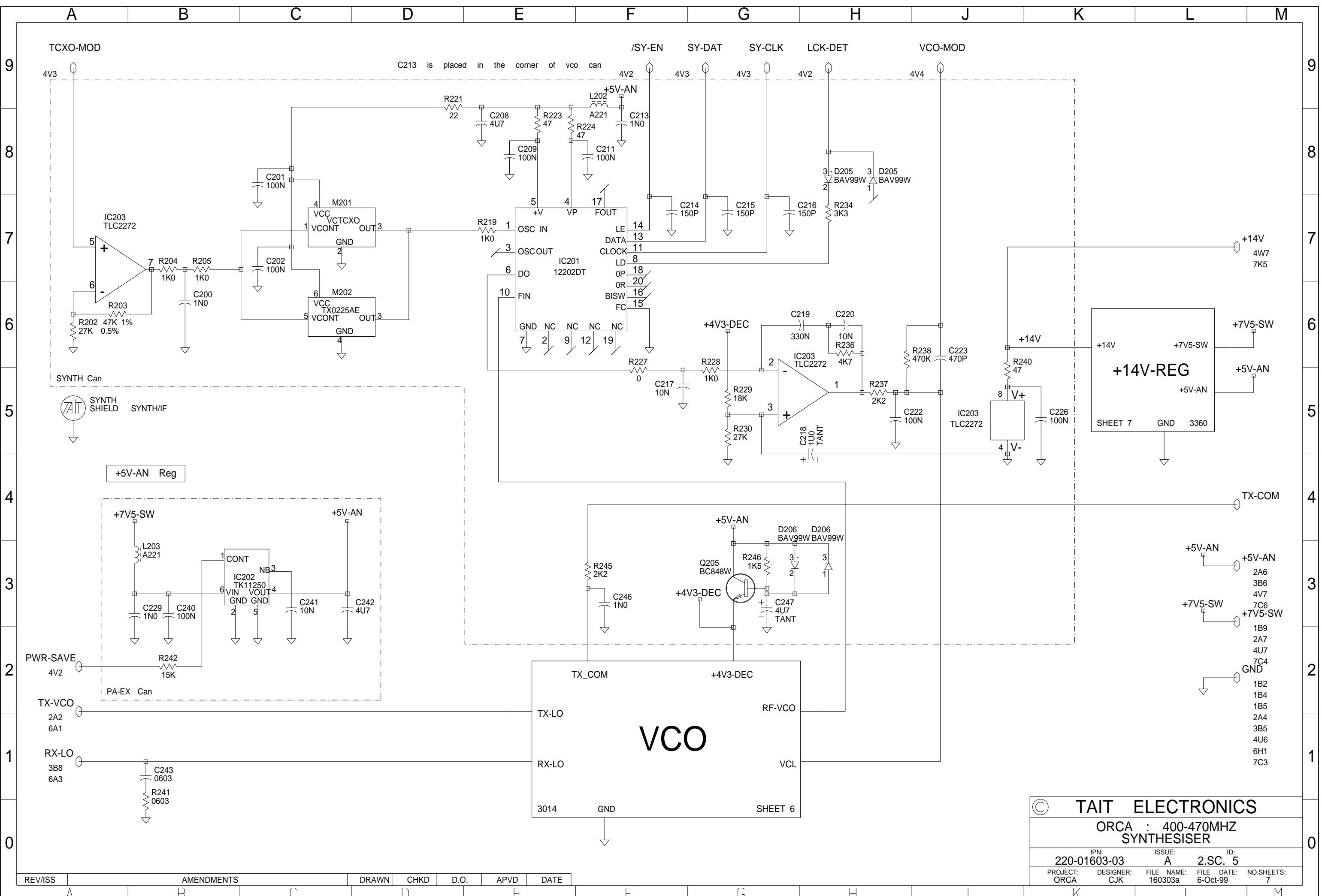


REV/ISS	AMENDMENTS	DRAWN	CHKD	D.O.	APVD	DATE

© TAIT ELECTRONICS
 ORCA : 400-470MHZ
 PROCESSOR
 220-01603-03 2-SC 4
 PROJECT DESIGNER: FILE NAME: FILE DATE: NO SHEETS
 ORCA CJK 160303a 6-Oct-99 7

Room to Rent

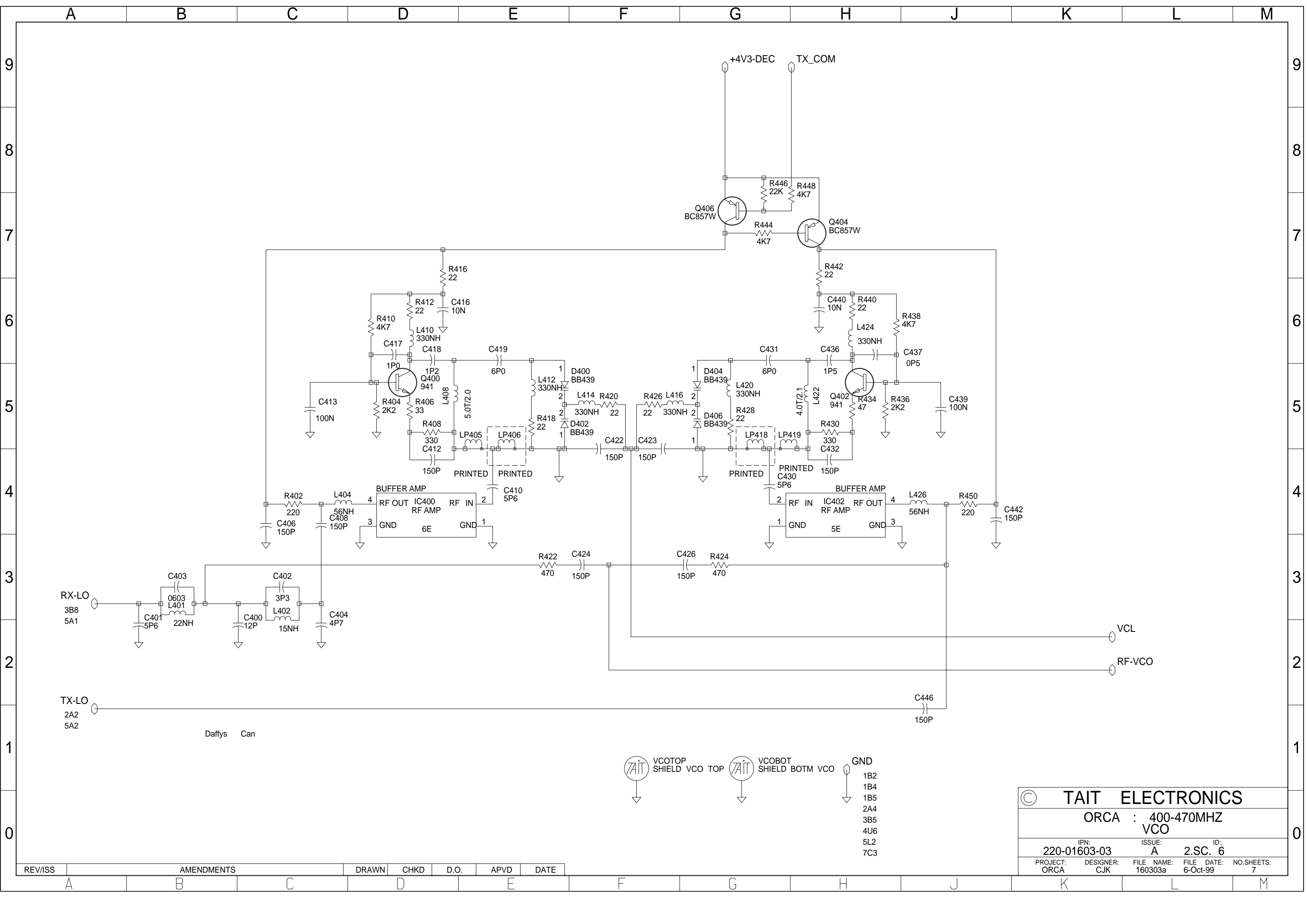
Toms Can



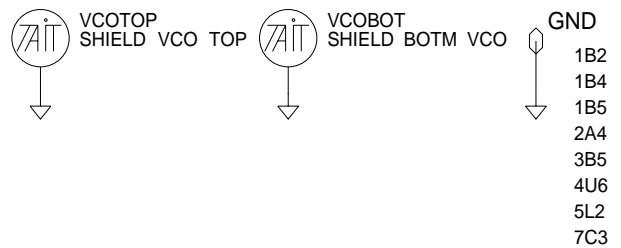
© TAIT ELECTRONICS
 ORCA : 400-470MHZ SYNTHESISER
 IPN: 220-01603-03 ISSUE: A ID: 2.SC. 5
 PROJECT: ORCA DESIGNER: CJK FILE NAME: 160303a FILE DATE: 6-Oct-99 NO.SHEETS: 7

REV/ISS	AMENDMENTS	DRAWN	CHKD	D.O.	APVD	DATE

- +5V-AN 2A6
- +5V-AN 3B6
- 4V7 4U7
- +7V5-SW 7C6
- +7V5-SW 1B9
- 1A7 2A7
- 4U7 7C4
- GND 1B2
- 1B4 1B5
- 2A4 3B5
- 4U6 6H1
- 7C3

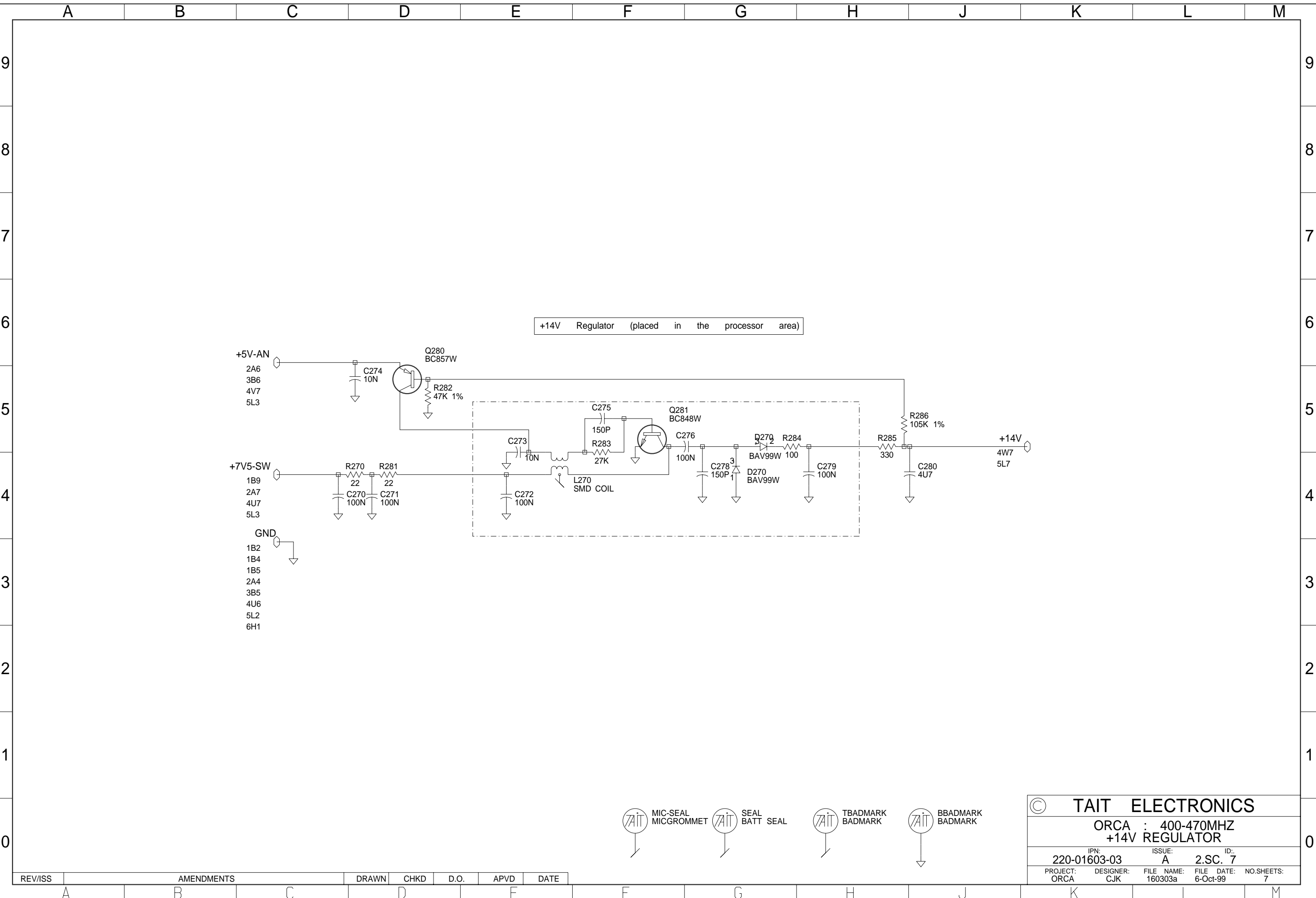


Daffys Can

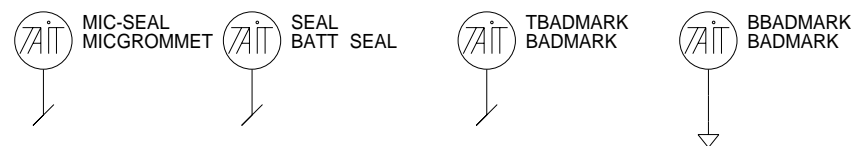
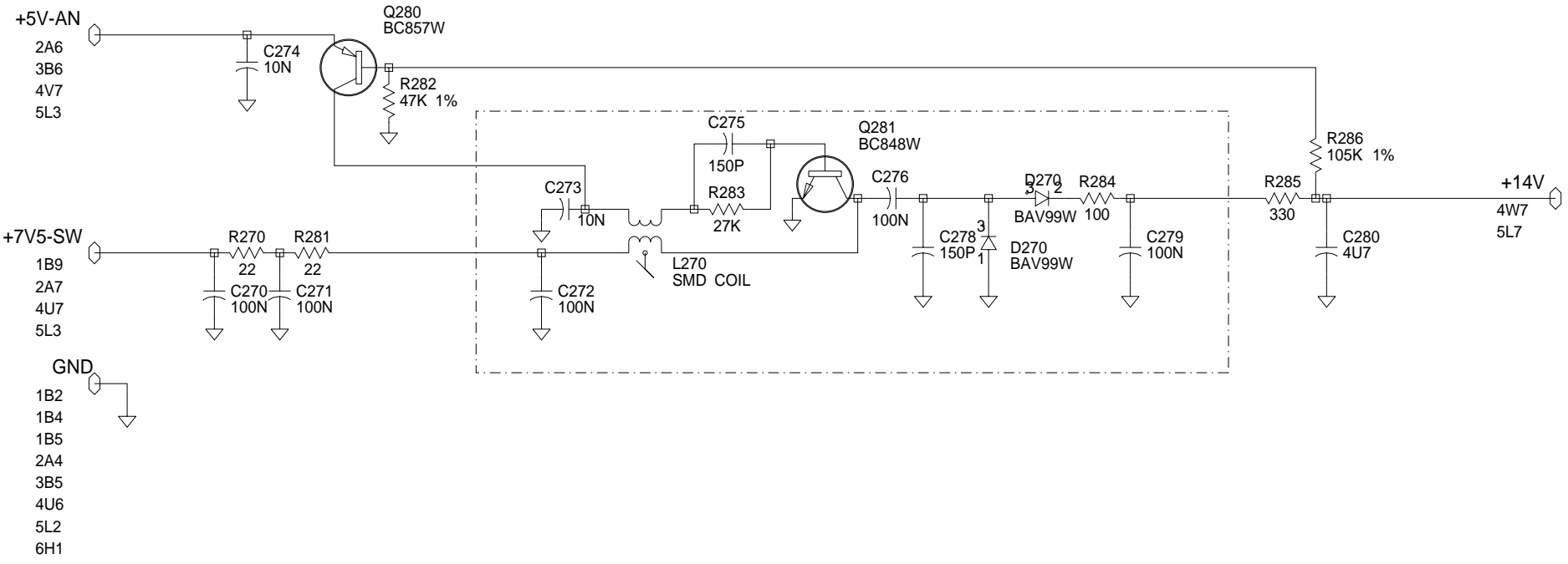


© TAIT ELECTRONICS				
ORCA : 400-470MHZ VCO				
IPN:	ISSUE:	ID:		
220-01603-03	A	2.SC. 6		
PROJECT:	DESIGNER:	FILE NAME:	FILE DATE:	NO.SHEETS:
ORCA	CJK	160303a	6-Oct-99	7

REV/ISS	AMENDMENTS	DRAWN	CHKD	D.O.	APVD	DATE
---------	------------	-------	------	------	------	------

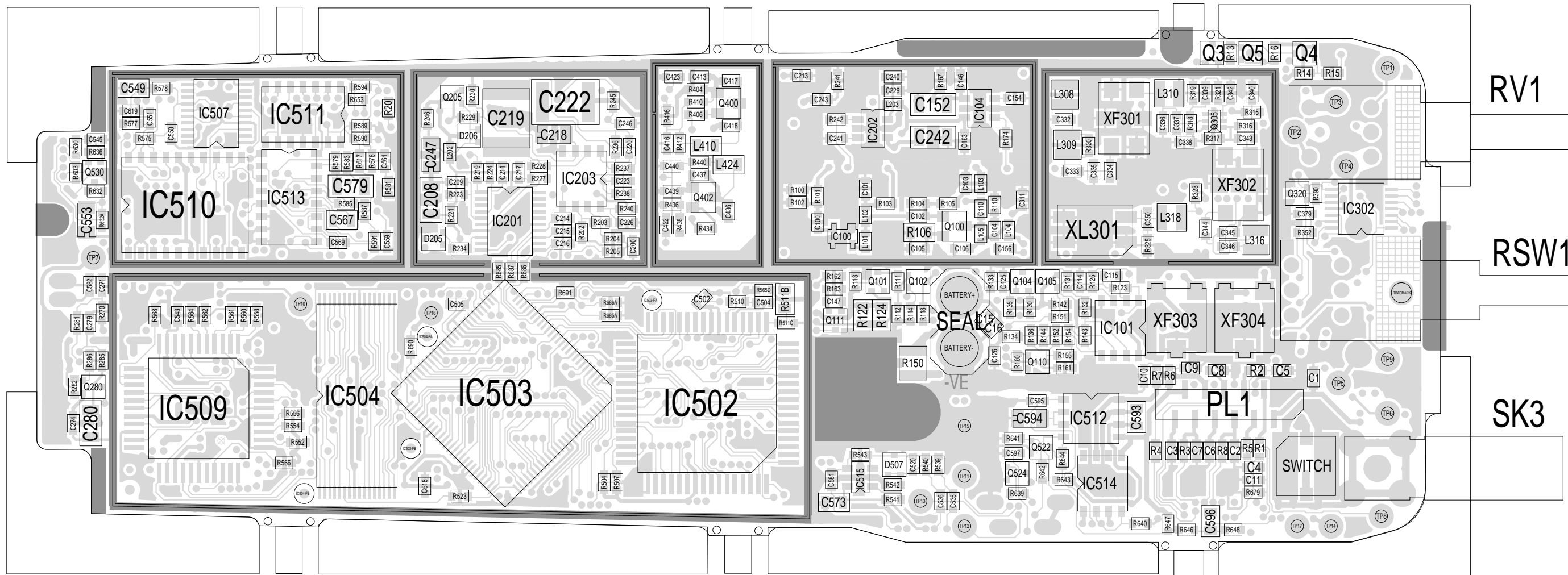


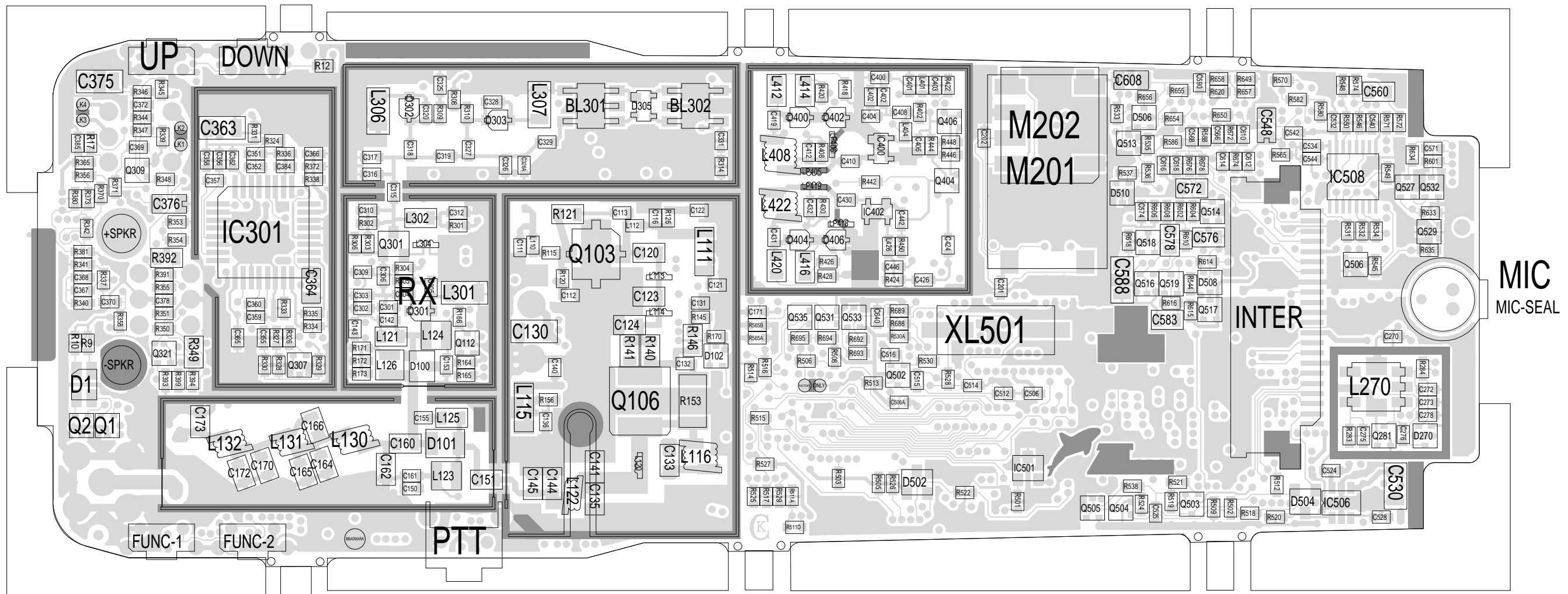
+14V Regulator (placed in the processor area)



© TAIT ELECTRONICS				
ORCA : 400-470MHZ +14V REGULATOR				
IPN:	ISSUE:	ID:		
220-01603-03	A	2.SC. 7		
PROJECT:	DESIGNER:	FILE NAME:	FILE DATE:	NO.SHEETS:
ORCA	CJK	160303a	6-Oct-99	7

REV/ISS	AMENDMENTS	DRAWN	CHKD	D.O.	APVD	DATE
---------	------------	-------	------	------	------	------





TAIT ELECTRONICS IPN: 220-01603-03 ISS: -03 ID: 6.BA DATE: 5 Oct 1999
 ORCA UHF PCB LAYOUT - BOTTOM SIDE

Scale: 2.3:1 ; Rotation: 0 degrees